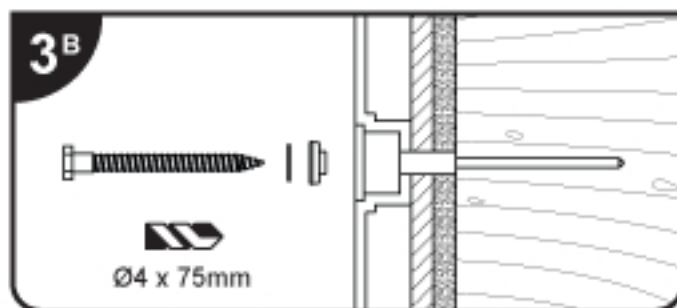
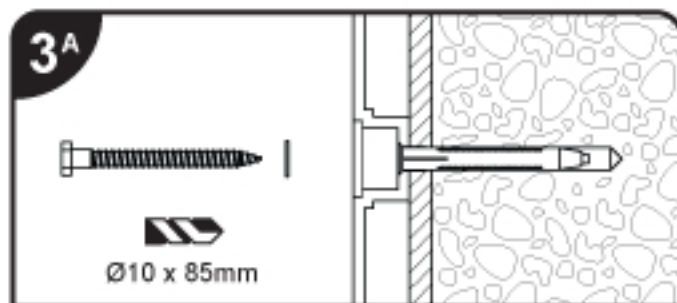
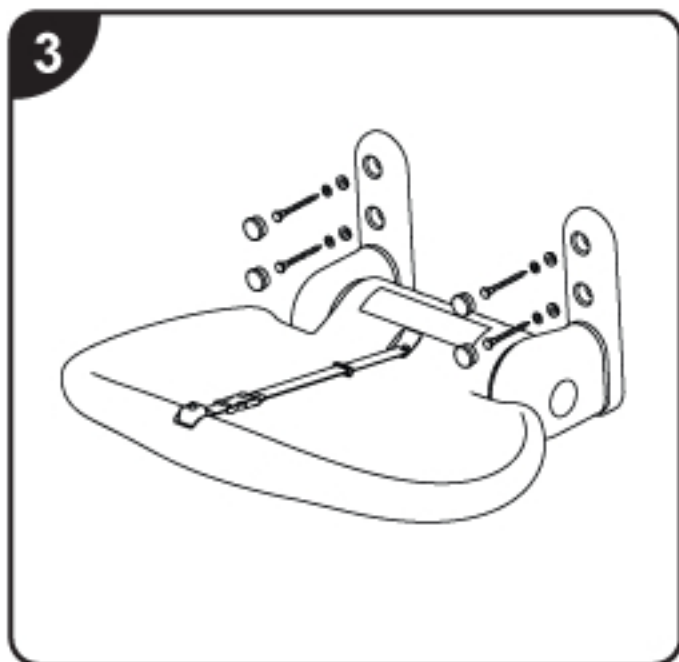
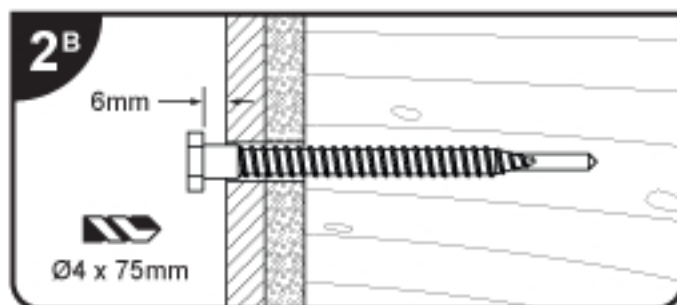
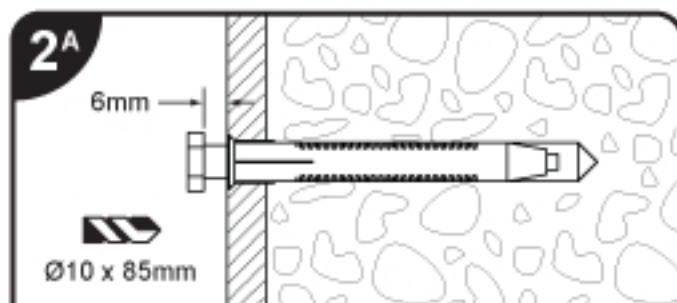
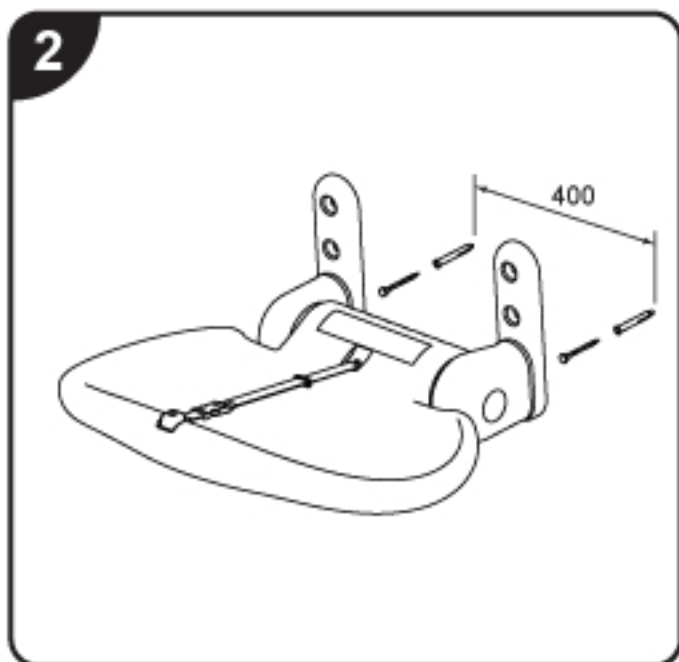


Model Ref:
CT/1H

EN 12221-1:2008



IMPORTANT

“RETAIN FOR FUTURE REFERENCE. READ CAREFULLY”

WARNING:

Do not leave the child unattended.

This product is intended for use by children up to 15kg. and must not be used in the vicinity of a strong heat source or when any part is broken, or missing.

Baby Point assembly instructions for the ‘Compact’ horizontal wall mounted baby changing table

Model Ref: CT/1H

- ✓ **Dia.1** After opening the packaging please check the contents as illustrated (Images not to scale).

PLEASE NOTE: The pack contains components for both masonry and timber stud wall installations.

- ✓ **Dia.2** Position the first wall fixings as shown 400mm apart at a height of approximately 850mm (900mm if the site requires access for wheelchair use). See installation detail (2A) for masonry walls and (2B) for timber stud walls.

PLEASE NOTE: DO NOT OVER TIGHTEN THESE FIXINGS ESPECIALLY IN LOW DENSITY BLOCK WALLS.

- ✓ **Dia.3** After locating both key slots onto the protruding wall fixings check the table is level. Prepare the required fixing holes as shown in detail (3A) for masonry walls and (3B) for timber stud walls using the cast wall brackets as templates.

Finally insert the four white plastic caps into the mounting hole recesses. To complete the installation check the operation of the table and the safety belt.